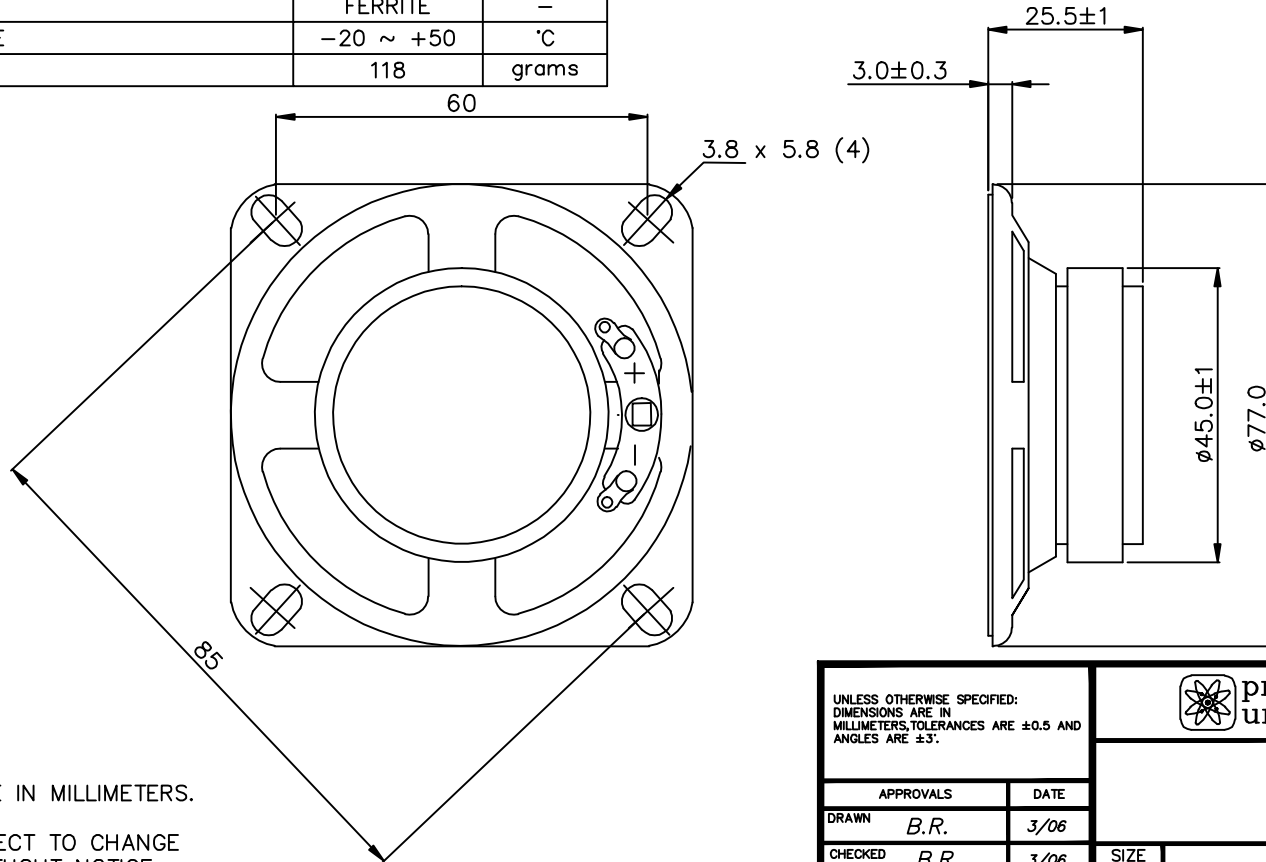


THIS DOCUMENT CONTAINS DATA PROPRIETARY TO PROJECTS UNLIMITED, INC. ANY USE OR REPRODUCTION, IN ANY FORM, WITHOUT PRIOR WRITTEN PERMISSION OF PROJECTS UNLIMITED, INC. IS PROHIBITED.
 ©2003, Projects Unlimited Inc.

SPECIFICATIONS

PARAMETERS	VALUES	UNITS
RATED INPUT POWER	4	W
MAX INPUT POWER	8	W
IMPEDANCE	8±15%	OHM
OUTPUT SPL @ 1W/1M (AT 400, 600, 800, 1 KHz)	90±3	dB
DISTORTION	5%	-
RESONANT FREQUENCY	270±20%	Hz
FREQUENCY RANGE	270 ~ 8,000	Hz
HOUSING MATERIAL	METAL	-
CONE MATERIAL	PAPER	-
MAGNET MATERIAL	FERRITE	-
OPERATING TEMPERATURE	-20 ~ +50	°C
WEIGHT	118	grams


REVISIONS			
LTR	DESCRIPTION	DATE	APPROVED
-	RELEASED FROM ENGINEERING	3/30/06	
A	ADDED MOUNTING HOLE DIMENSION	12/19/07	R.W.



NOTES:

1. ALL DIMENSIONS ARE IN MILLIMETERS.
2. SPECIFICATION SUBJECT TO CHANGE OR WITHDRAWAL WITHOUT NOTICE.
3. THIS PART IS RoHS 2002/95/EC COMPLIANT.

FILE NAME
AS07708PS-2-R.DWG

UNLESS OTHERWISE SPECIFIED: DIMENSIONS ARE IN MILLIMETERS, TOLERANCES ARE ±0.5 AND ANGLES ARE ±3°.		 projects® unlimited Dayton, Ohio	
APPROVALS DRAWN <i>B.R.</i> CHECKED <i>B.R.</i> APPROVED <i>E.P.</i>		DATE <i>3/06</i> <i>3/06</i> <i>3/06</i>	
SPEAKER AS07708PS-2-R		DRAWING NO. AS07708PS-2-R	
DO NOT SCALE DRAWING		SIZE A	SCALE: N.T.S.
		SHEET 1 OF 1	